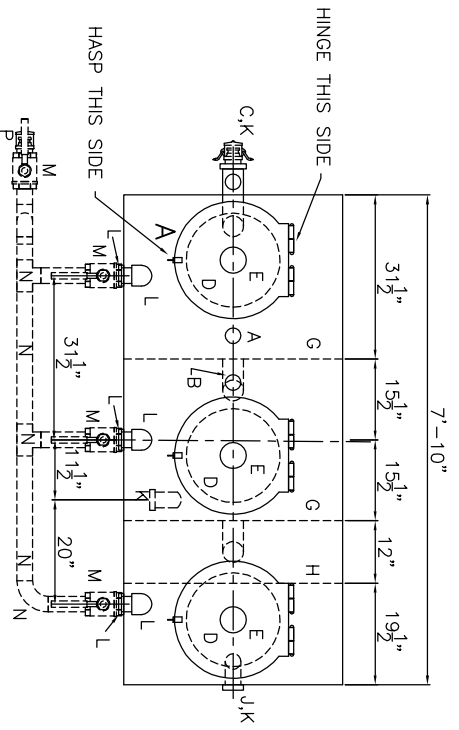
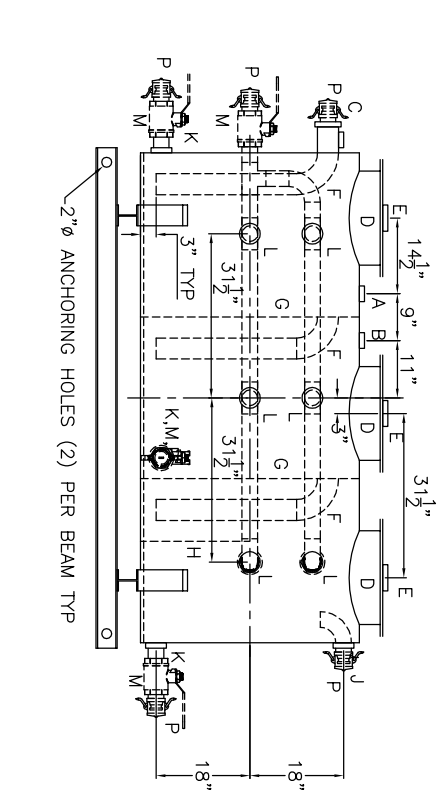
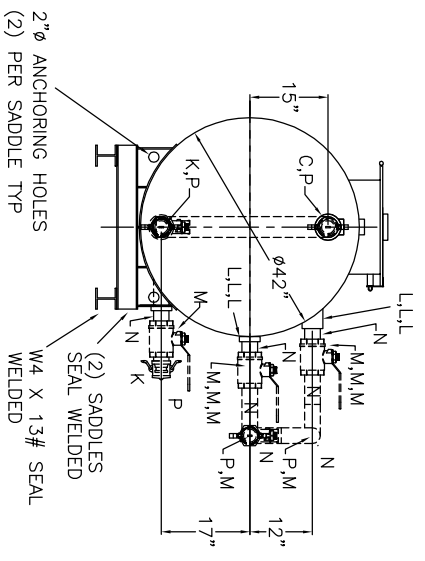




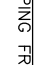
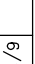
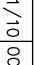
NOTE: ALL RIGHTS RESERVED. THIS DRAWING MUST NOT BE REPRODUCED IN ANY MANNER WITHOUT THE WRITTEN PERMISSION OF HIGHLAND TANK®. HIGHLAND TANK® SHALL BE RESPONSIBLE ONLY FOR ITEMS INDICATED ON THIS FABRICATION DRAWING UNLESS OTHERWISE NOTED. THE FABRICATOR SHALL BE RESPONSIBLE FOR VERIFYING CORRECTNESS OF SIZE AND LOCATION OF FITTINGS, ACCESSORIES, AND COATINGS SHOWN ON THIS DRAWING. TOUCH UP OF FINISHED PAINT IS REQUIRED BY INSTALLATION CONTRACTOR. TOUCH UP PAINT SHIPPED WITH TANK.

ROLLED AND SEAL WELDED STRIKER PLATES INCLUDED



LEGEND	
A	2" FNPT CONNECTION - LEVEL SENSOR USE
B	2" FNPT CONNECTION - VENT USE
C	4" PIPE STUB WITH 4" FNPT END AND 2" FNPT IN NOZZLE - OUTLET
D	18" X 1/4" PLATE TIGHT BOLT MANWAY WITH 1/8" THICK NEO-CORK GASKET, HINGE & HASP
E	4" FNPT CONNECTION MOUNTED IN MW COVER GAUGE USE (DOPED PLUG INCLUDED)
F	4" ELBOW AND STD WEIGHT DROP PIPE
G	SINGLE BULKHEAD
H	SLUDGE BAFFLE
J	3" FNPT CONNECTION WITH INTERNAL 90° WELD EL - INLET
K	3" FNPT CONNECTION - DRAIN
L	3" FNPT CONNECTION - OIL DRAW OFF
M	3" FEMALE BALL VALVE
N	3" SCH 40 PIPE THREADED OR WELDED
P	3" QUICK CONNECT WITH DUST CAP
Q	-

DESIGN DATA	
CAPACITY	- 550 GALLONS
TYPE	- SINGLE WALL TRIPLE BASIN
NO. REQ.	- 3
OPERATING PRESSURE	- ATMOSPHERIC
TANK MATERIAL	- WILD CARBON STEEL
THICKNESS - HEADS:	10 GA
THICKNESS - SHELL:	10 GA
CONSTRUCTION	- LAP WELD OUTSIDE ONLY
TANK TEST	- 5 PSIG
INT. FINISH	- NONE
EXT. FINISH	- SP6 BLAST, WHITE PAINT
LABEL	- UL 142

 <p>550 GAL SPECIAL OIL INTERCEPTOR ABOVEGROUND SINGLE WALL TRIPLE BASIN</p> <p>CUSTOMER: SKIMOIL INC</p> <p>PROJECT: GULF OIL SPILL CLEANUP</p> <p>QUOTE NO.:</p> <p>SCALE: 1/2" = 12"</p> <p>DATE: 06/11/10</p>	<p>CHANGE PIPING FROM FITTINGS "1"</p> <p>6/11/10 003</p> <p>  </p> <p>  003  1  5 </p>
--	---